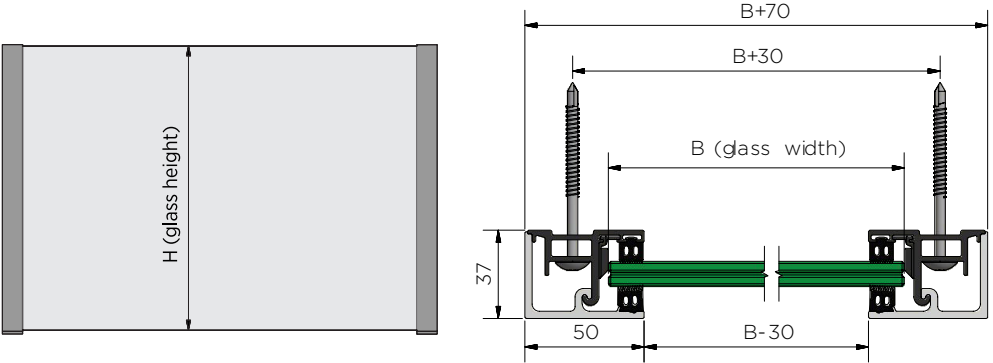


SKYFORCE TOP

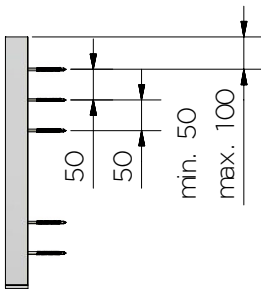
INSTRUCTION SHEET

ONLEVEL

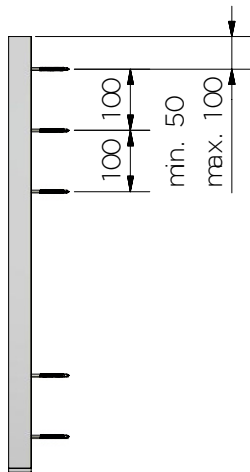
SCREW POSITION OVERVIEW



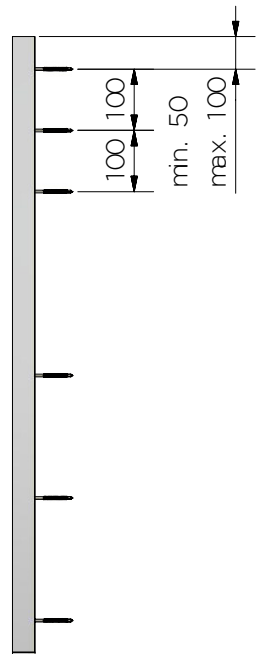
H = 300 - 400 mm
(5 screws/side)



H = 401 - 700 mm
(5 screws/side)



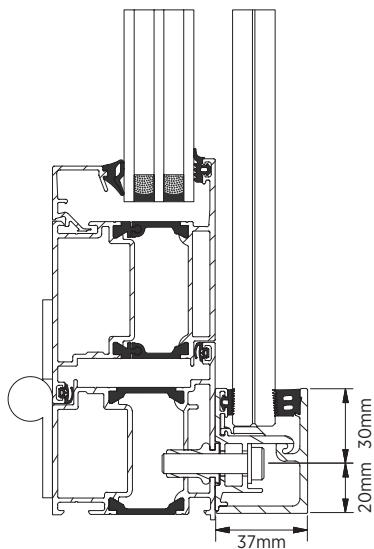
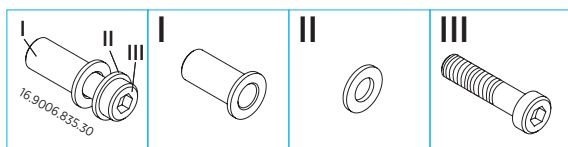
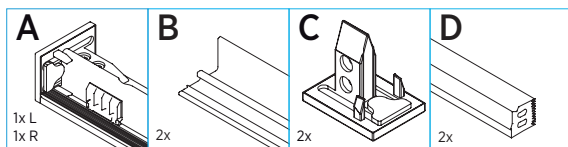
H = 701 - 1200 mm
(6 screws/side)



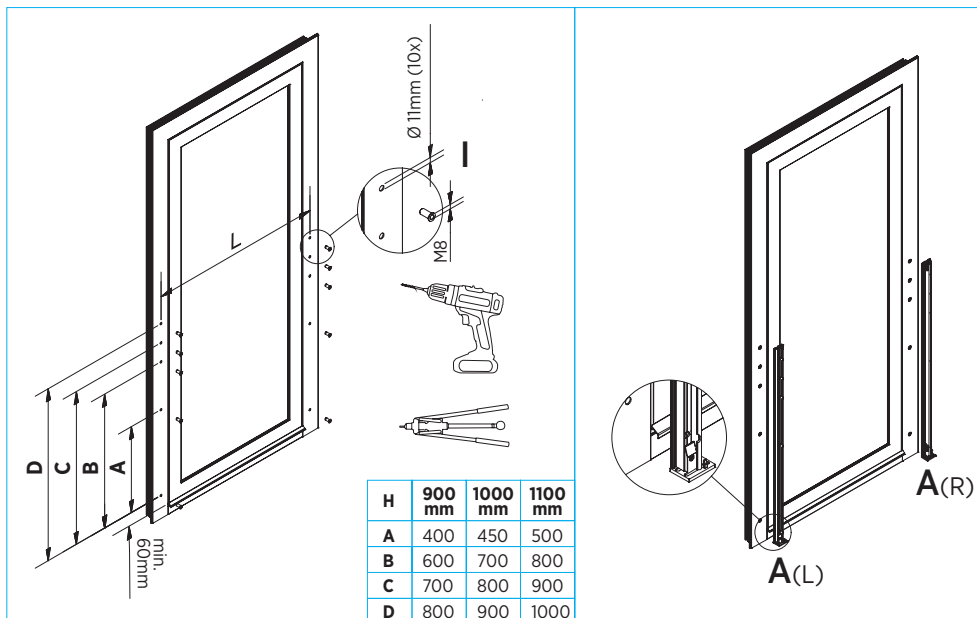
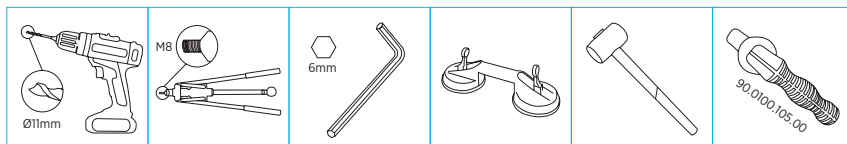
SKYFORCE

INSTRUCTION SHEET

ALUMINIUM FRAME



Tools

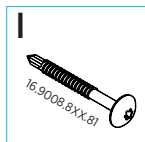
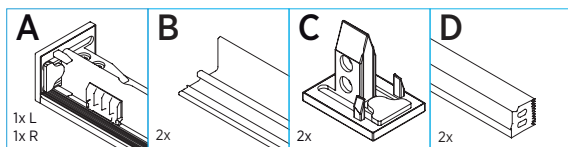


SKYFORCE

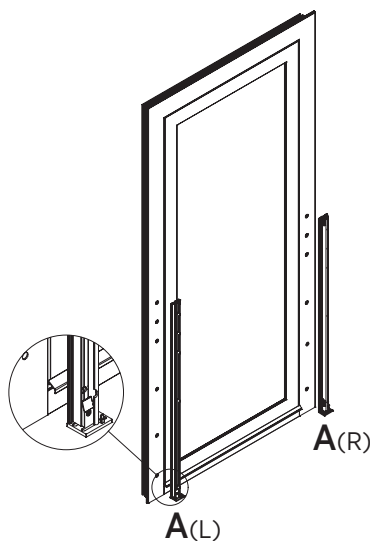
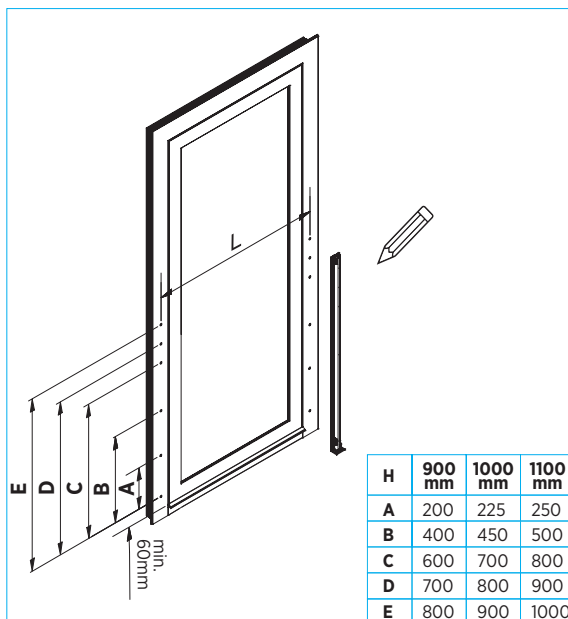
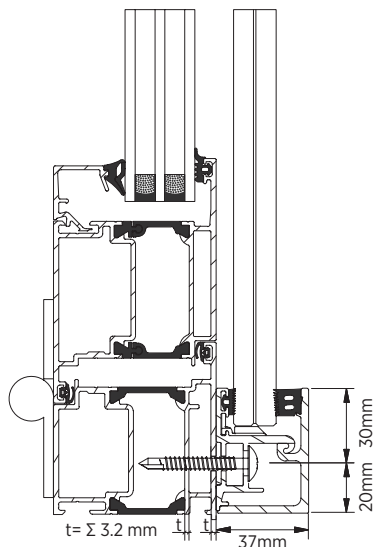
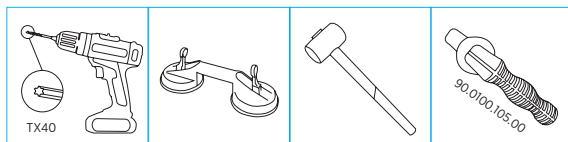
INSTRUCTION SHEET

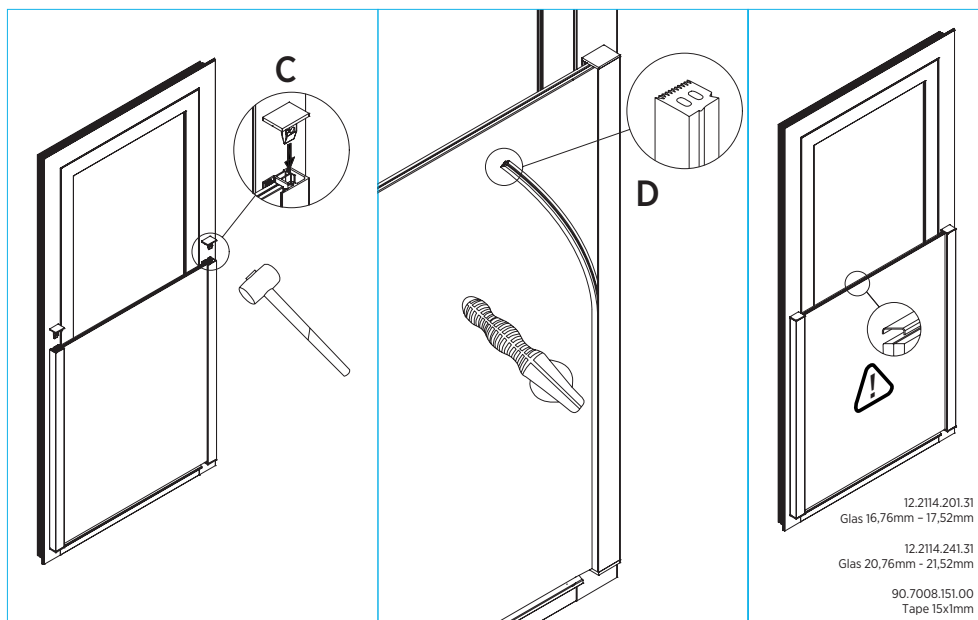
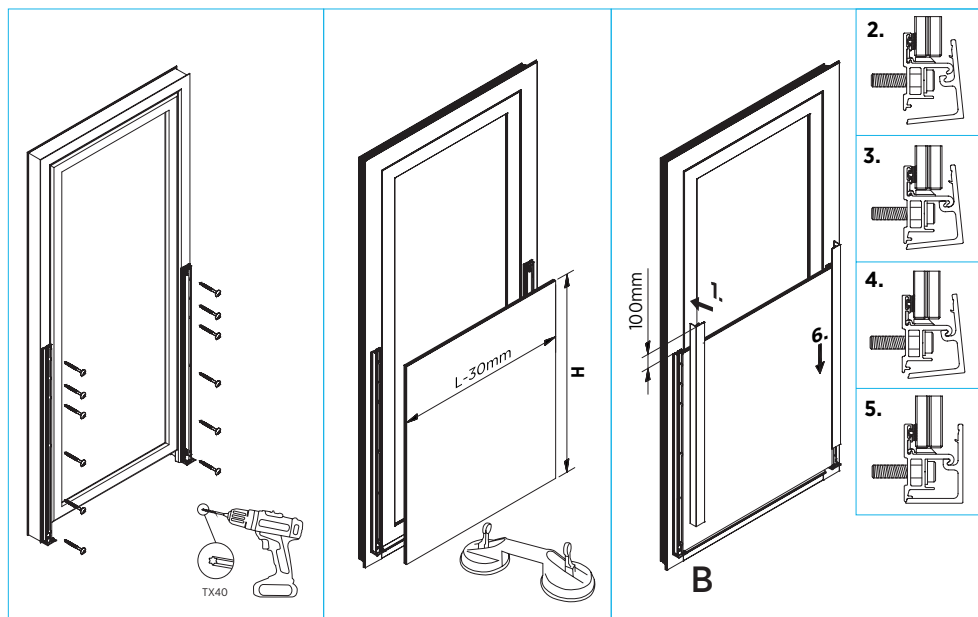
ALUMINIUM FRAME

SELF-CUTTING SCREW



Tools



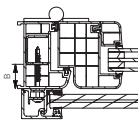
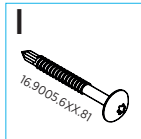
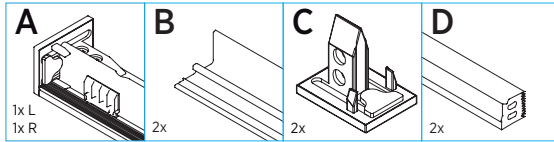


SKYFORCE

INSTRUCTION SHEET

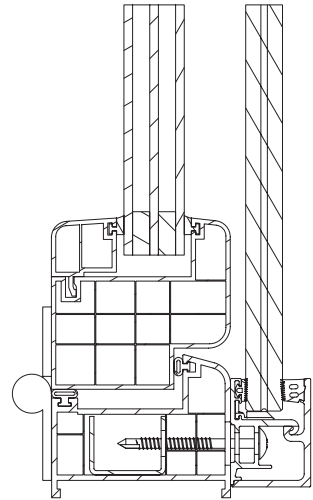
PLASTIC FRAME

SELF-CUTTING SCREW

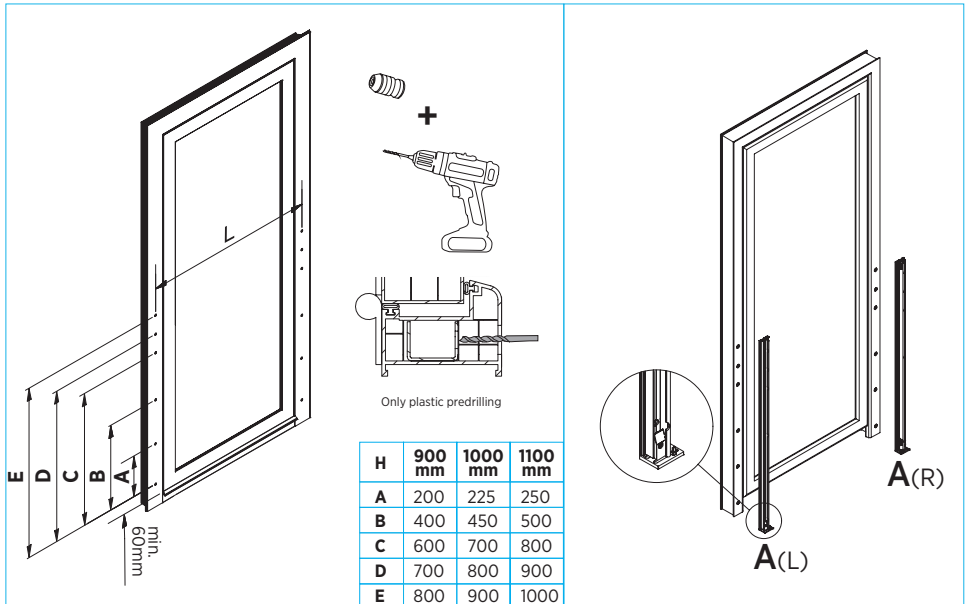
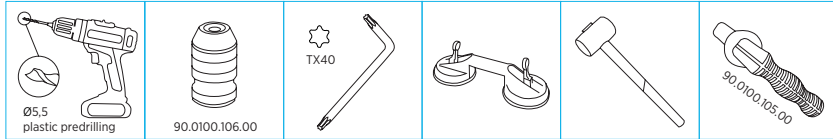


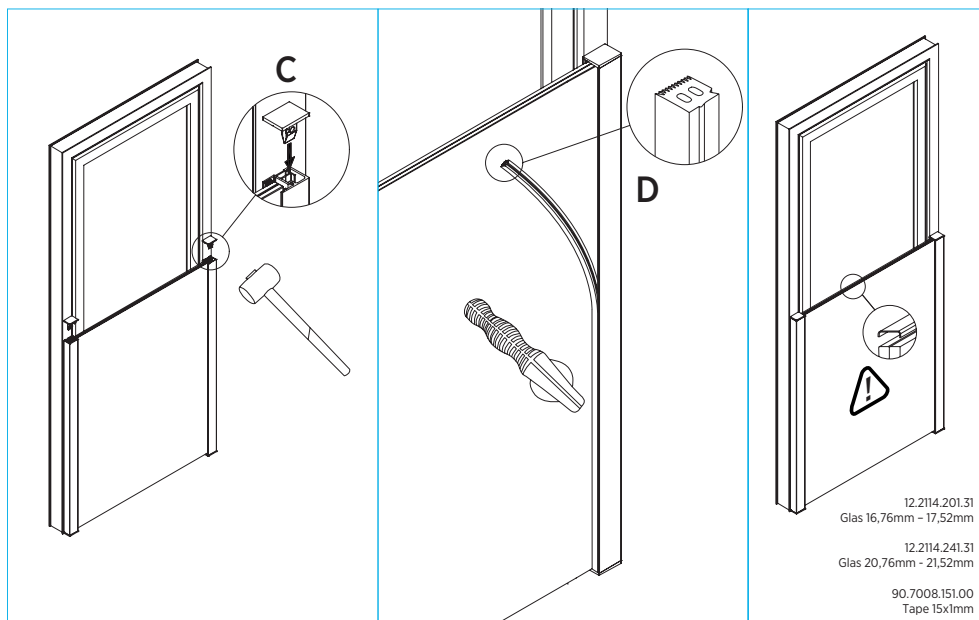
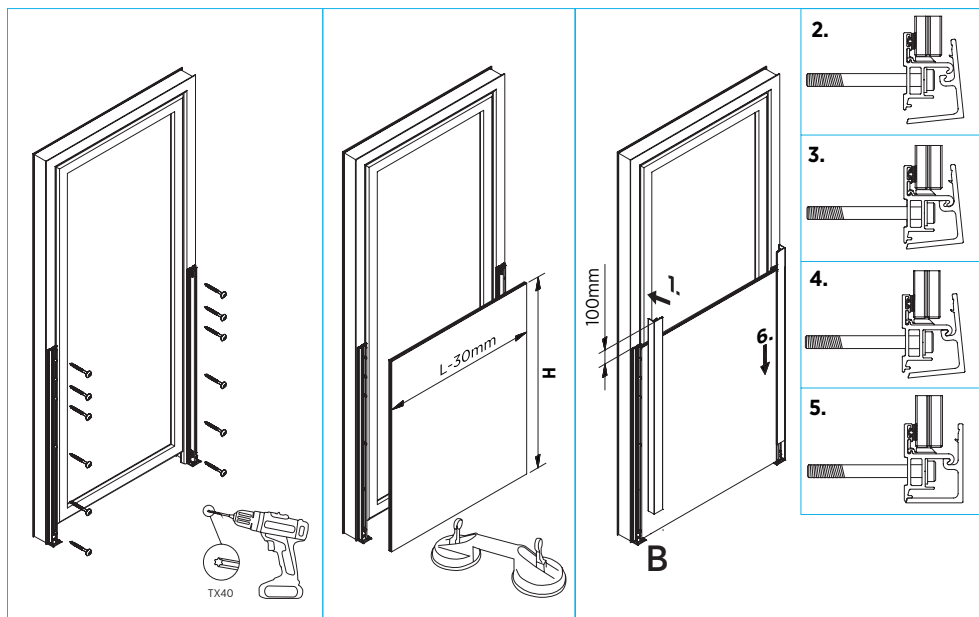
B	Art.
0-9mm	16.9005.604.81
10-19mm	16.9005.605.81
20-29mm	16.9005.606.81
30-39mm	16.9005.607.81
40-49mm	16.9005.608.81
50-59mm	16.9005.609.81
60-69mm	16.9005.610.81
80-89mm	16.9005.612.81
110-119mm	16.9005.615.81

For plastic windows, a steel inner core of min. 1.5mm necessary!



Tools



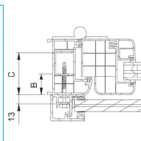
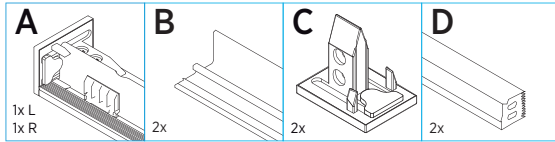


SKYFORCE

INSTRUCTION SHEET

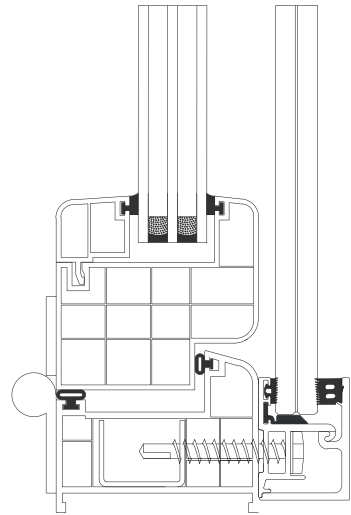
PLASTIC FRAME

STAINLESS STEEL SCREW

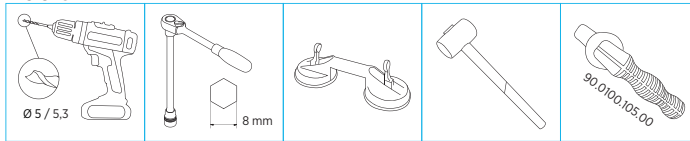


B	Art. Nr.
0 - 25 mm	16.9012.605.20
25 - 40 mm	16.9012.606.20
40 - 50 mm	16.9012.607.20
50 - 55 mm	16.9012.608.20
55 - 65 mm	16.9012.609.20
65 - 75 mm	16.9012.610.20
75 - 90 mm	16.9012.611.20

For plastic windows, a steel inner core of min. 1.5mm necessary!



Tools



Ø5 mm (for wall thickness steel inner tube 1.5mm)

Ø5,3 mm (for wall thickness steel inner tube 2.0 - 4.0 mm)

H	900 mm	1000 mm	1100 mm
A	200	225	250
B	400	450	500
C	600	700	800
D	700	800	900
E	800	900	1000

A(L)

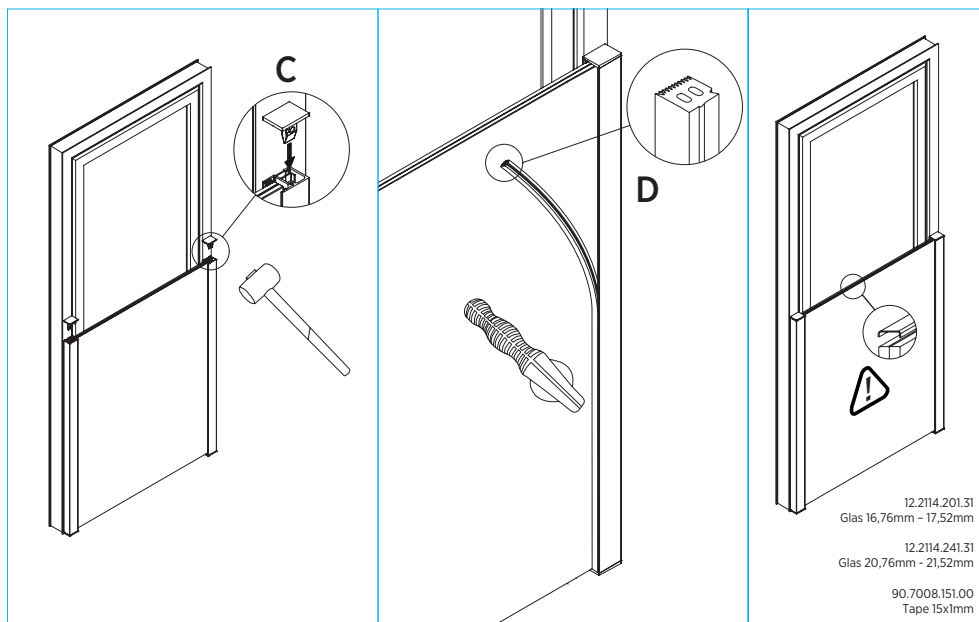
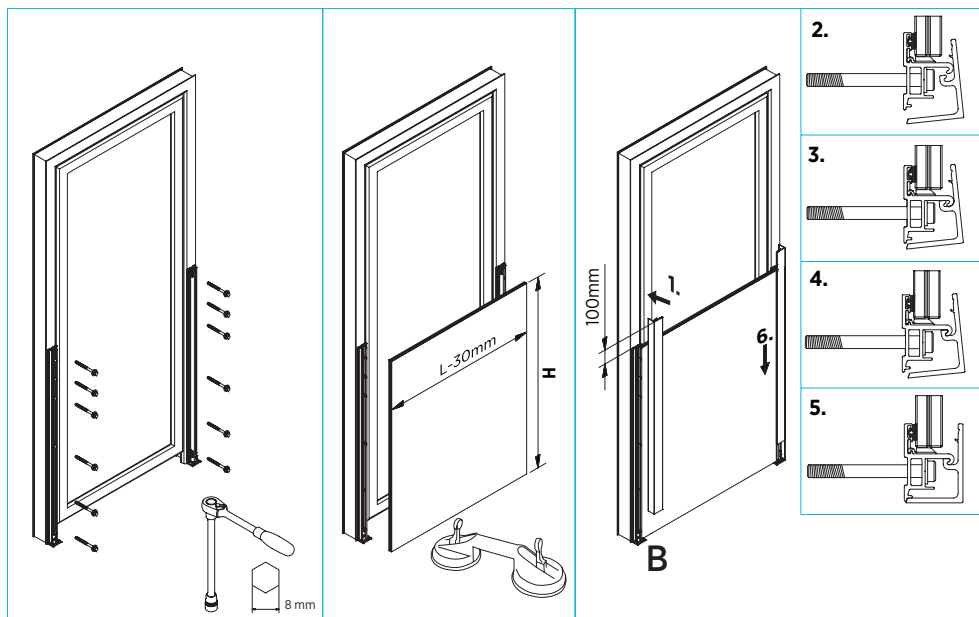
A(R)

SKYFORCE

INSTRUCTION SHEET

PLASTIC FRAME

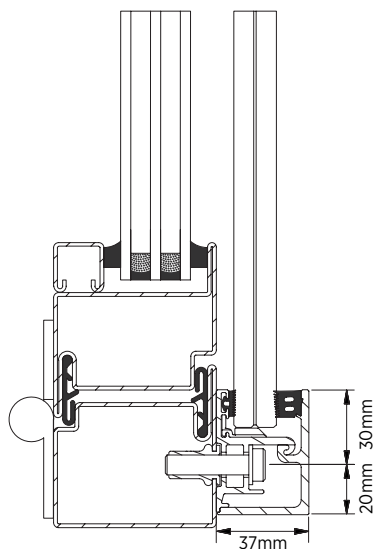
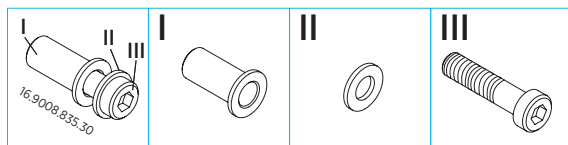
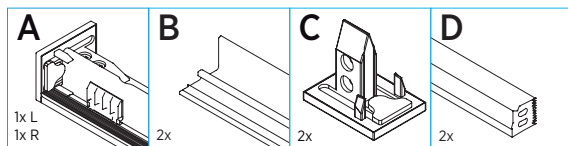
STAINLESS STEEL SCREW



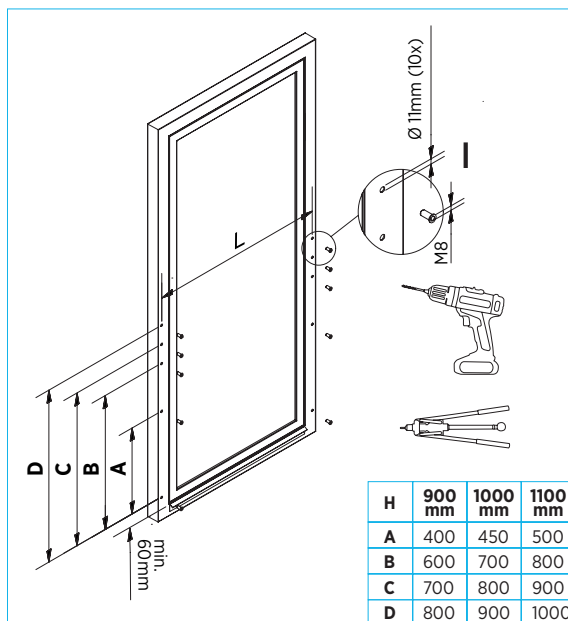
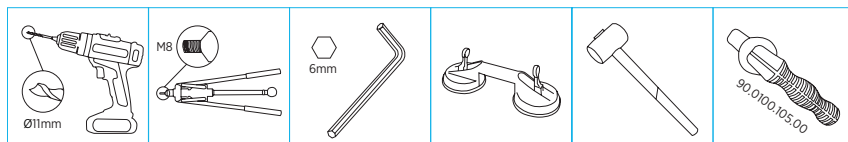
SKYFORCE

INSTRUCTION SHEET

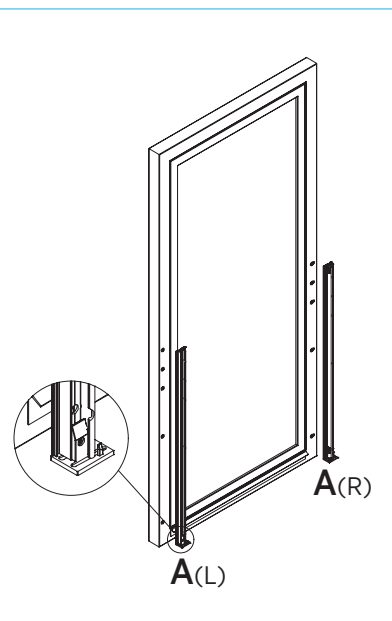
STEEL FRAME

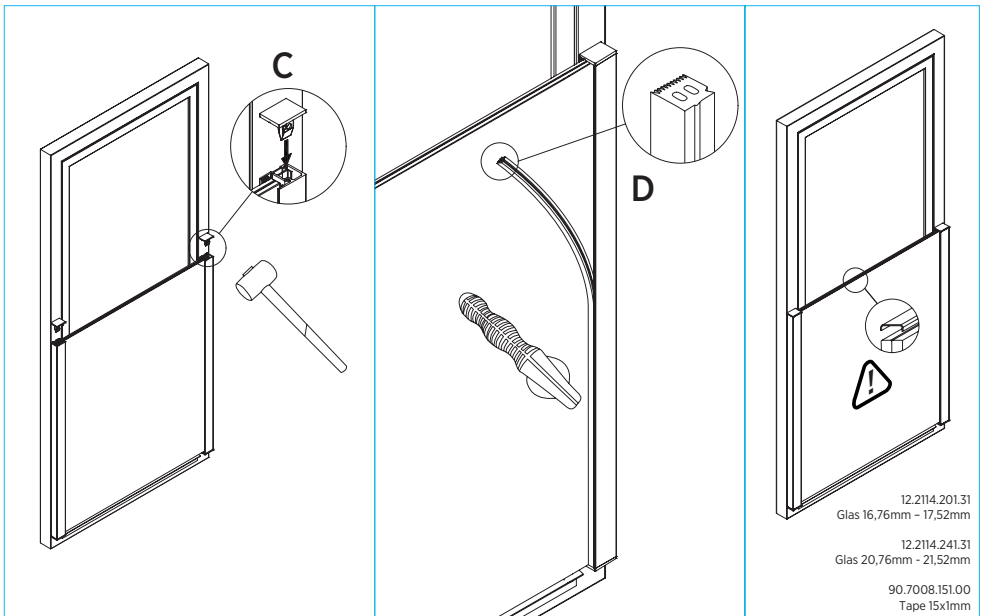
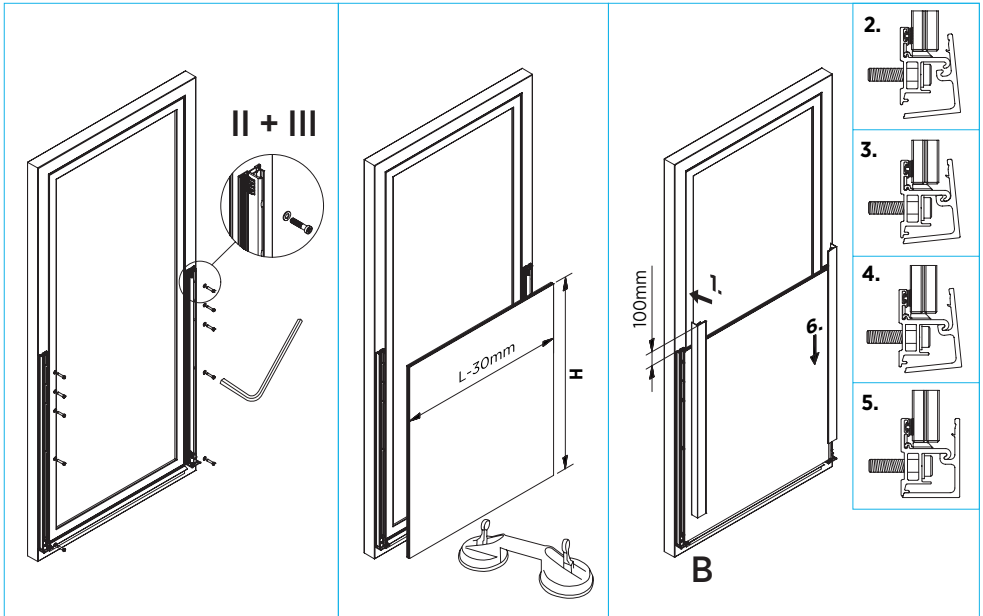


Tools



H	900 mm	1000 mm	1100 mm
A	400	450	500
B	600	700	800
C	700	800	900
D	800	900	1000

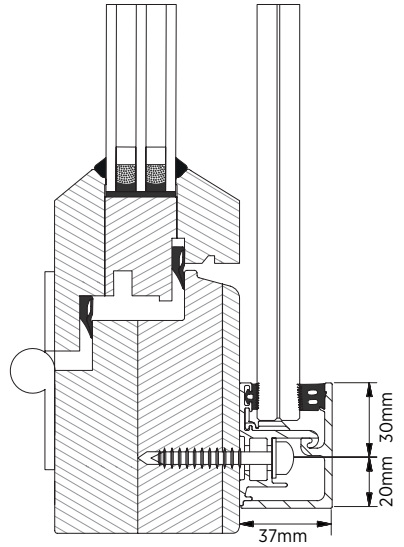
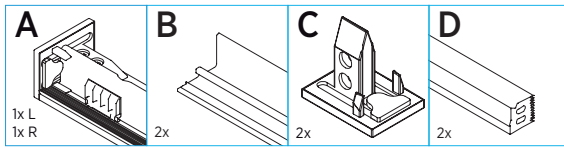




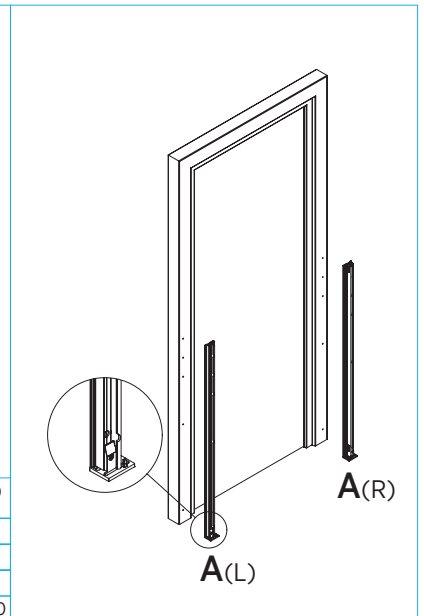
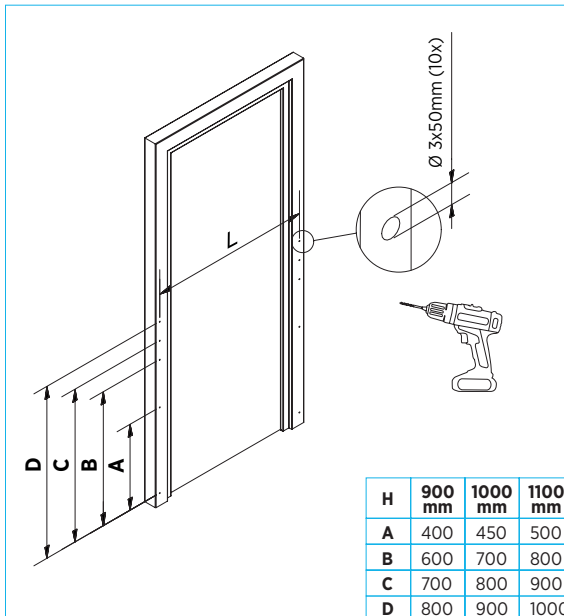
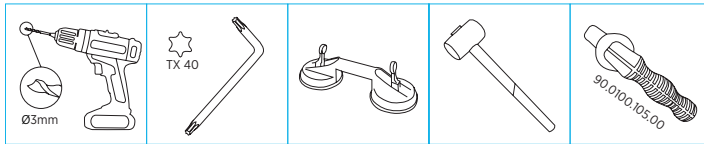
SKYFORCE

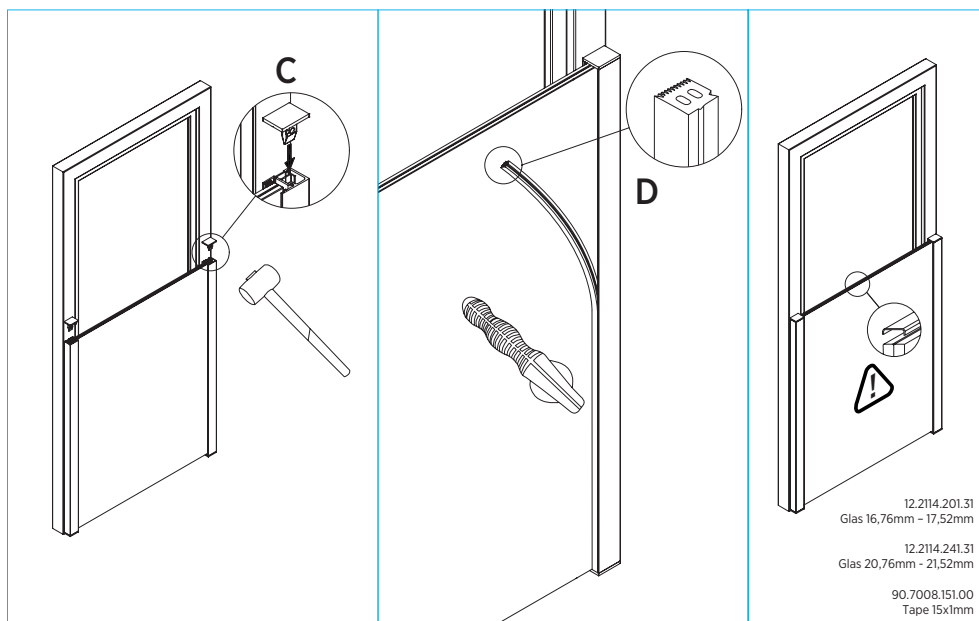
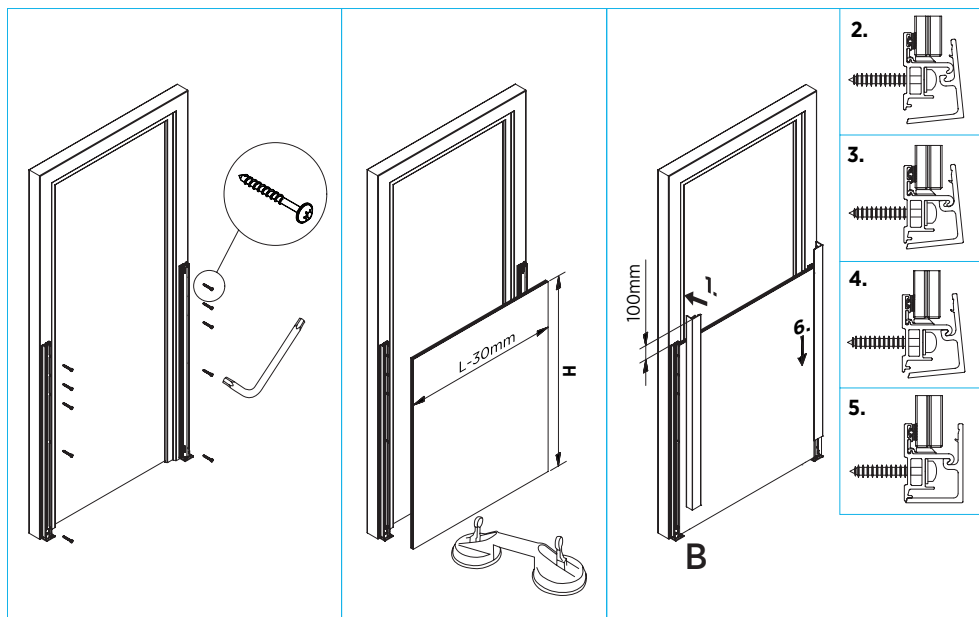
INSTRUCTION SHEET

WOOD FRAME



Tools

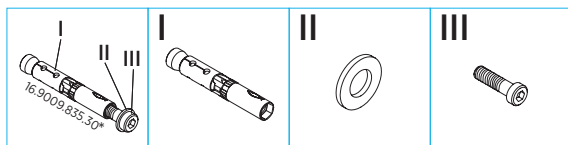
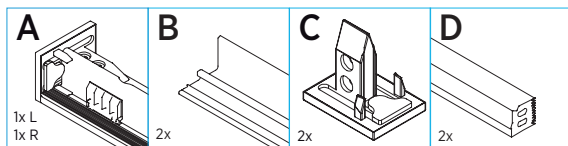




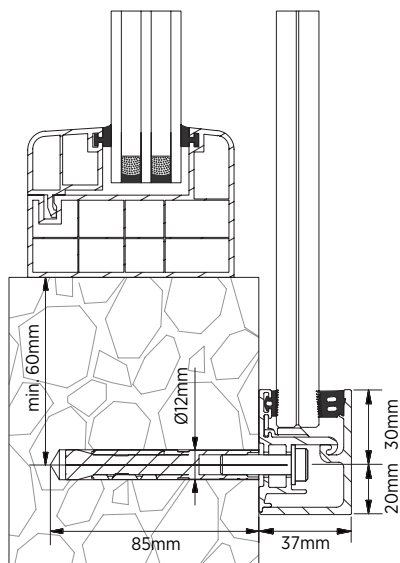
SKYFORCE

INSTRUCTION SHEET

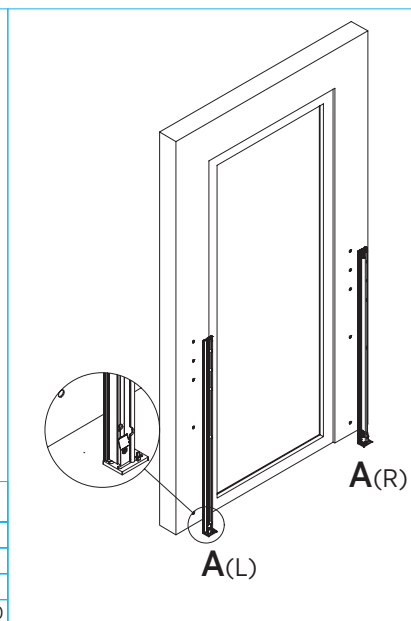
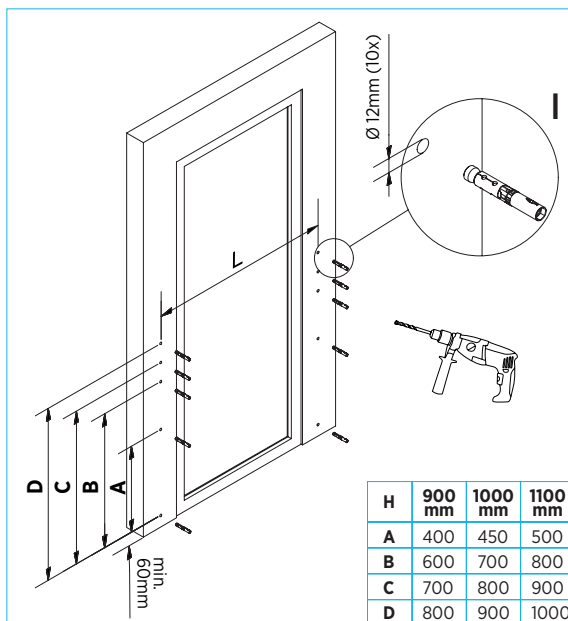
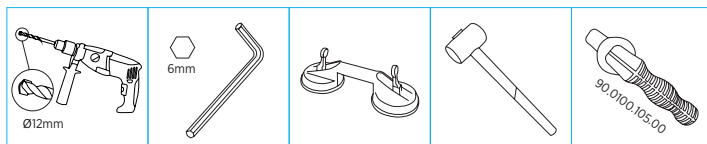
STONE

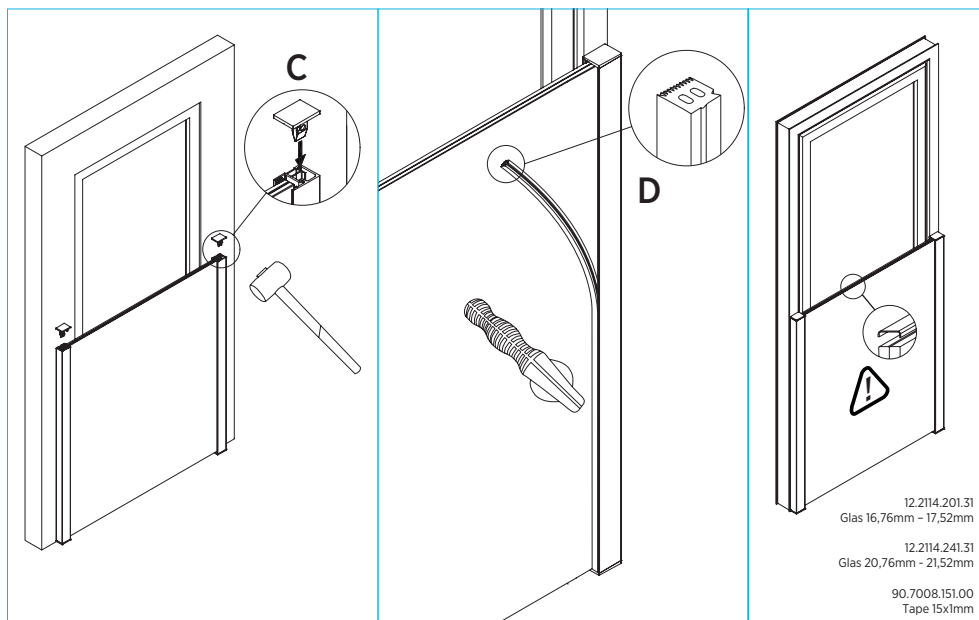
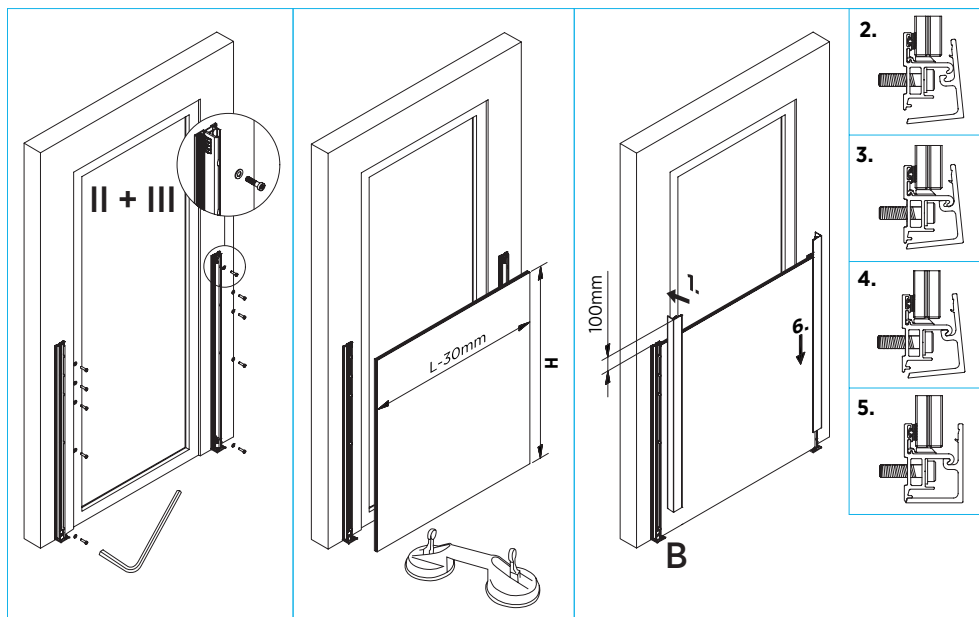


*Anchor suitable for natural stone with dense structure



Tools

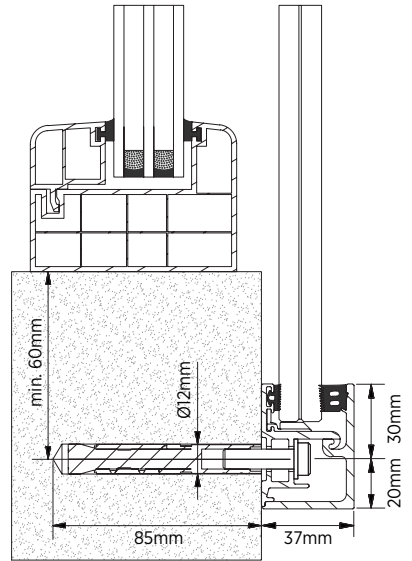
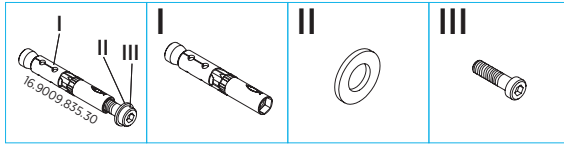
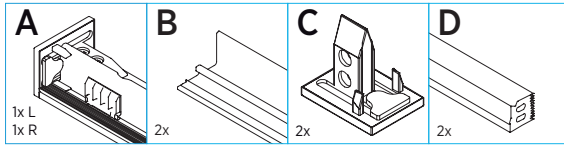




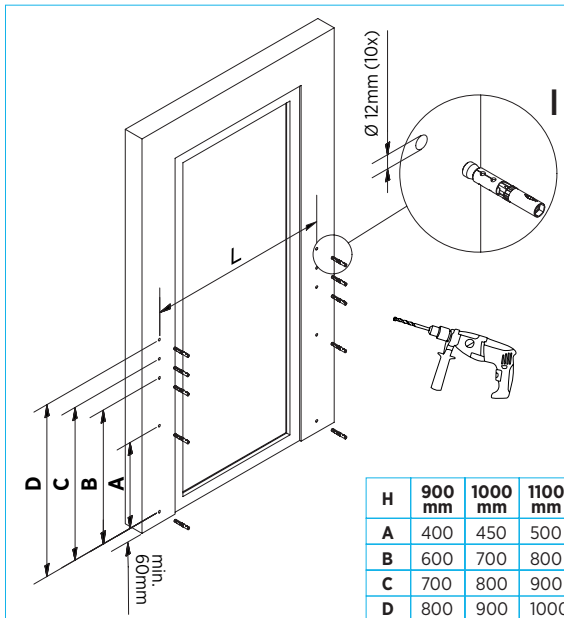
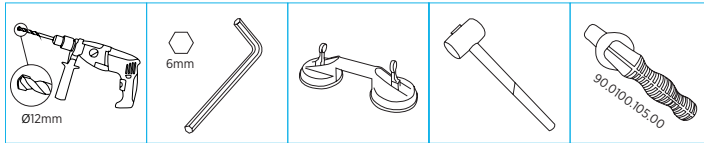
SKYFORCE

INSTRUCTION SHEET

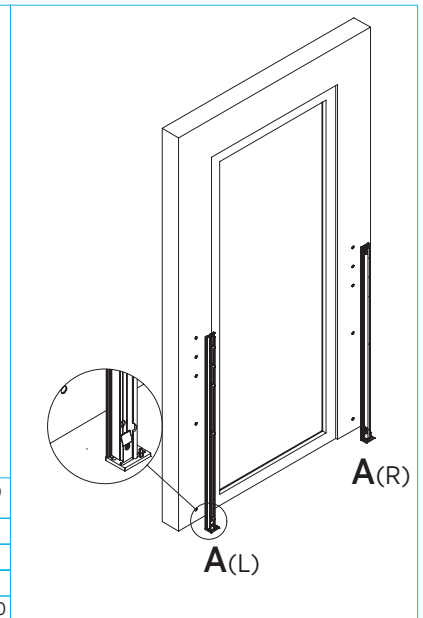
CONCRETE

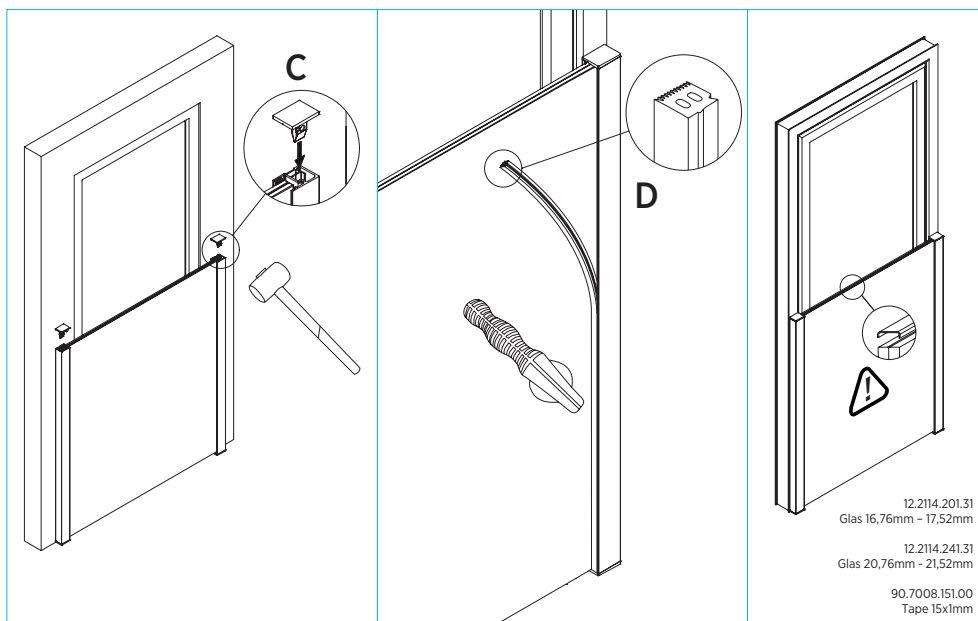
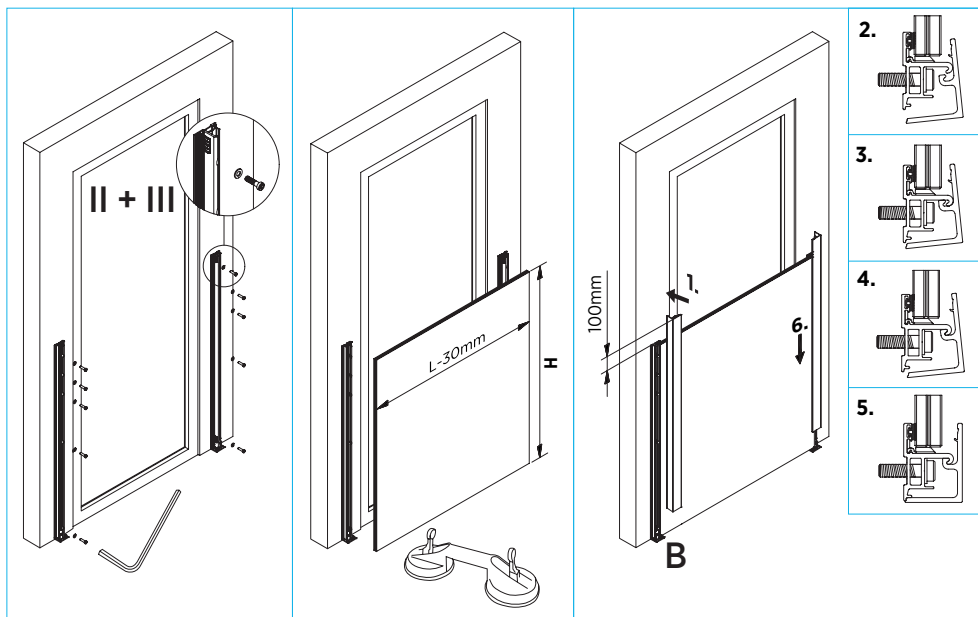


Tools



H	900 mm	1000 mm	1100 mm
A	400	450	500
B	600	700	800
C	700	800	900
D	800	900	1000





ONLEVEL

Budberger Straße 5
46446 Emmerich am Rhein
Deutschland

+49 (0)2822 97514-0

info@onlevel.com
www.onlevel.com